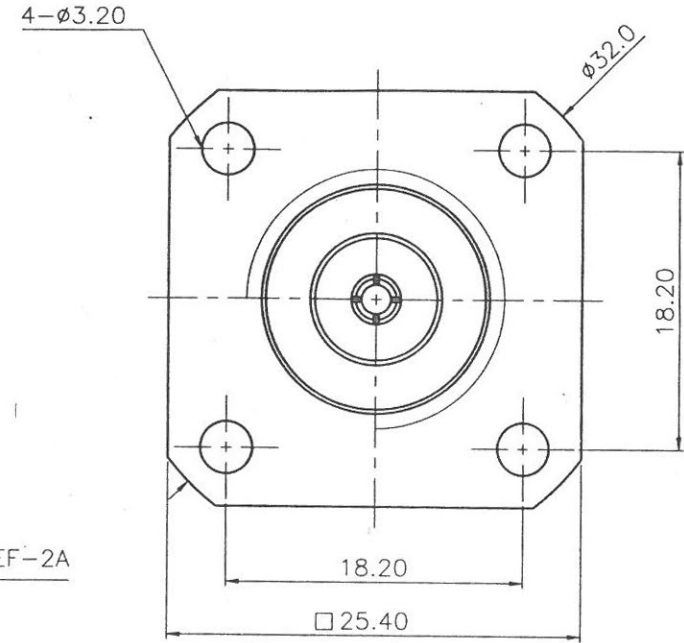
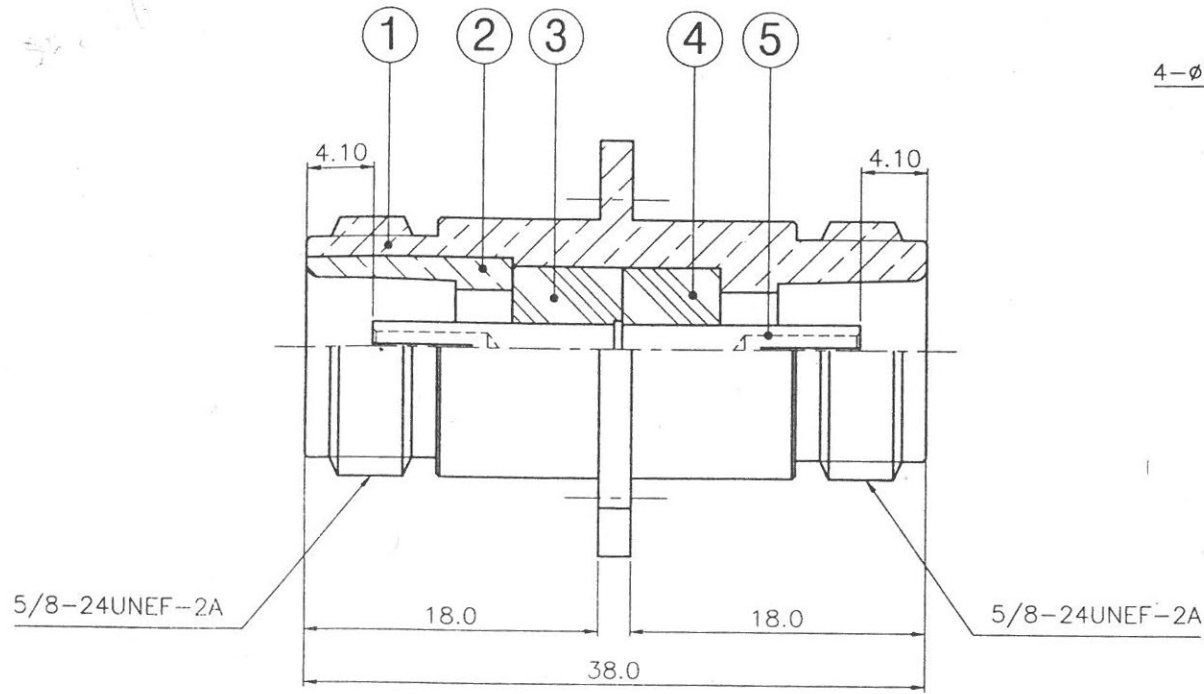


REVISION

LOT	DESCRIPTION	DATE	CHK	APP
-----	-------------	------	-----	-----



5	CONTACT	1	BeCu	Ag	
4	INSULATOR B	1	PTFE		
3	INSULATOR A	1	PTFE		
2	INSERT	1	MBsBD	Ag	
1	BODY	1	MBsBD	Ag	
NO	PARTS NAME	Q'TY	M A T L	FINISH	P/N
MATERIAL		COMMON DIFFERENCE		APP	
		DECIMAL	ANGLE		
FINISH		.X ± 0.05	1°	CHK	
		.X X ± 0.03			
DATE	02.08.08	SCALE	DIMENSION	DRW	Y.K KIM
		NS	m/m		
NPAJJA50SS					ASSEMBLY